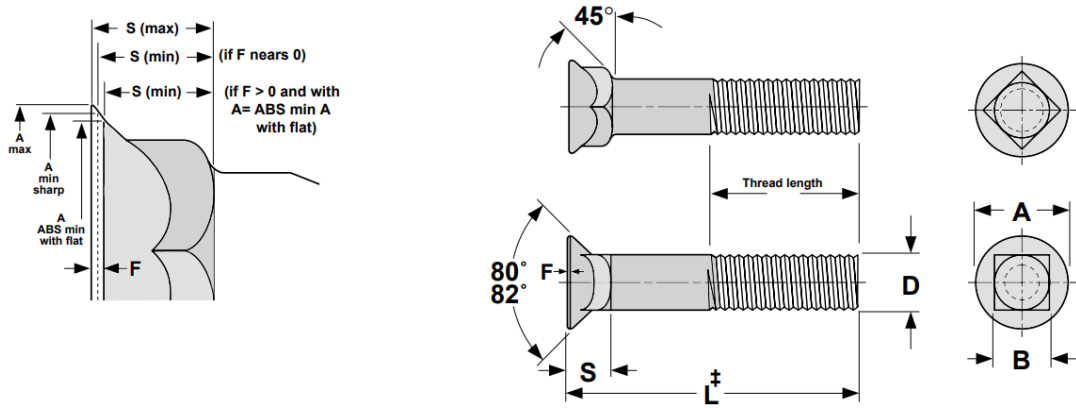


# Plow Bolts: Dimensions & Specifications



Head Plow Bolts											
Nominal or Basic Product Diameter*	Full Size Body Diameter		Diameter of Head			Feed Thickness	Depth of Square and Head		Width of Square		
	Max	Min	Max	Min Sharp	Abs. Min with Flat		Max	Min	Max	Min (Basic)	
5/16	.3125	.312	.299	.505	.578	.563	.025	.269	.243	.325	.313
3/8	.3750	.375	.360	.577	.671	.656	.031	.312	.281	.387	.375
7/16	.4375	.438	.421	.650	.781	.766	.036	.364	.328	.450	.438
1/2	.5000	.500	.483	.722	.890	.875	.042	.417	.375	.515	.500
5/8	.6250	.657	.606	866	1.094	1.063	.050	.506	.456	.640	.625
3/4	.5625	.782	.729	.938	1.250	1.219	.050	.541	.491	.765	.750
7/8	.8750	.938	.853	1.083	1.469	1.406	.063	.626	.563	.906	.875
1	1.0000	1.062	.976	1.299	1.594	1.594	.063	.690	.627	1.031	1.000

Tolerance on Length			
Nominal Bolt Size	1/4 through 3/8	7/16 and 1/2	5/8 through 1
All Lengths	±0.03	±0.06	±0.12

Recommended Bolt Length	Minimum Thread Length of Plow Bolts							
	Nominal Bolt Diameter, D							
	5/16	3/8	7/16	1/2	5/8	3/4	7/8	1
<b>1</b>	T to H	T to H	-	-	-	-	-	-
<b>1-1/4</b>	.875	T to H	T to H	T to H	T to H	-	-	-
<b>1-1/2</b>	.875	1.000	T to H	T to H	T to H	T to H	T to H	-
<b>1-3/4</b>	.875	1.000	1.125	1.250	T to H	T to H	T to H	T to H
<b>2</b>	.875	1.000	1.125	1.250	T to H	T to H	T to H	T to H
<b>2-1/4</b>	.875	1.000	1.125	1.250	1.500	T to H	T to H	T to H
<b>2-1/2</b>	.875	1.000	1.125	1.250	1.500	1.750	T to H	T to H
<b>3</b>	.875	1.000	1.125	1.250	1.500	1.750	2.000	2.250
<b>3-1/2</b>	.875	1.000	1.125	1.250	1.500	1.750	2.000	2.250
<b>4</b>	.875	1.000	1.125	1.250	1.500	1.750	2.000	2.250